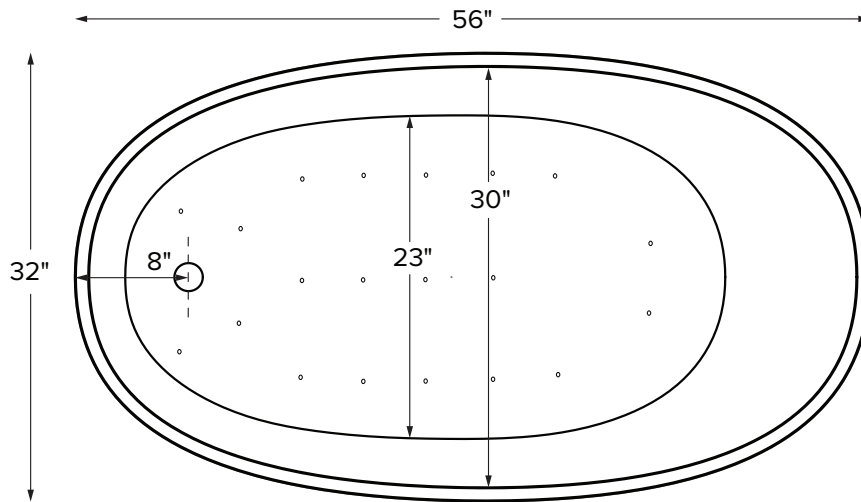


Lydia

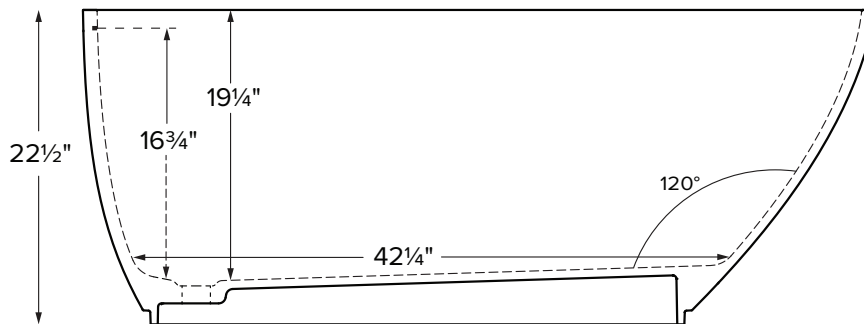


Lydia features an integrated overflow.

MODEL 200
56" x 32" x 21.5"/22.5"
FREESTANDING 76 gal to overflow
SculptureStone®
212 lbs / 96 kg soaker 242 lbs / 110 kg airbath
May also be undermounted. Must specify on order. Not recommended as a tub / shower combination. Filling this tub to the maximum may require an above average size or dedicated water heater.



Shown above as an Air Bath.



ELECTRICAL COMPONENTS & SPECIFICATIONS		
Required Electrical Service - 110 Volt		
Hydrotherapy Package	Components Included	GFCI
Air Massage	heated blower	1-15 amp
Electrical requirements may change with the addition of optional therapy components. See specific option details or installation information. CSA Certified C/US; ANSI Z124.1 and ANSI 112.19.7 and ANSI 112.19.7		

IMPORTANT ORDERING & INSTALLATION INFORMATION

- Before ordering or installing, please consider future access to equipment.
- Includes an integrated overflow with toe tap drain in chrome finish. May be specified without an overflow (see local codes before ordering without an overflow).
- Air baths require job site preparation for remote installation of the blower and required check valve. Check valve must be installed higher than the rim of the tub.
- Waterproof remote control included with air bath. Keypad shipped loose may be remote mounted on nearby surface/wall.
- Faucet valves cannot be mounted on this tub model.

See the Installation & Operation Manual for more details.
MTI's Customer Service: Monday-Friday 8am-6pm EST
800-783-8827 or service@mtibaths.com

- Before discarding tub crate, check for accessories that may be packaged inside.
- All product measurements are ±1/2".
- Specifications and configurations are subject to change without notice.
- Measurements herein supersede all others published prior to publication date below.



For more information on options and accessories go to SculptureStone® Tubs Options on mtibaths.com

Lydia

MODEL #: 200

56" x 32" x 21.5"/22.5"

- Blower & required check valve for airbath must be remote mounted.
- Check valve must be installed higher than the rim of the tub.
- See the Installation & Operation Manual for more details.

Hydrotherapy	Package Contents	Part #	Bottom	Finish	MSRP
Soaker	Soaking bath - no jets. Includes an integrated slotted overflow with a toe-tap drain kit.	S200A	no pedestal	soft matte	\$8,065
		S200AGL	no pedestal	hand-polished gloss	\$9,185
		S200B	with pedestal	soft matte	\$8,065
		S200BGL	with pedestal	hand-polished gloss	\$9,185
Air Bath	20 air jets, heated air blower, keypad, waterproof remote control, integrated slotted overflow with a toe-tap drain kit.	AST200B	with pedestal	soft matte	\$13,340
		AST200BGL	with pedestal	hand-polished gloss	\$14,460

Options <i>Must be ordered at time of purchase</i>
Quick Ship (QSPRI2) \$1,055 reduces lead time <i>Please call for availability</i>
Standard Color White Biscuit Color Upgrade (SSBI) \$320 <i>Additional material colors available for projects only. Please call MTI.</i>
Exterior Color \$1,815 (SSCOLTG) Gloss Finish (SSCOLTM) Matte Finish Must specify color code: Sapphire Blue (SB), Blue Lagoon (BL), Terracotta (TC), Onyx (OX), Stratus Gray (TG), Stormgray (SG) Check mtibaths.com for current lead time
Accessories
Teak Bath Mat (TKMAT3018) \$840 Measures 30" x 17.5" x 1" <i>Custom sizes also available. Contact MTI for details.</i>
SculptureStone® Tub Tray No Stemware Holder (SSTRAY1) \$350 matte (SSTRAY1GL) gloss \$350 With Stemware Holder (SSTRAY2) \$465 matte (SSTRAY2GL) gloss \$465 <i>Order with tub for best color match</i>
Teak Tub Tray Slatted (TK-TRAY1) \$515 Solid (TK-TRAY2) \$585 <i>Order with tub for best fit</i>

SculptureStone® Tub Accessories Packaging / Handling Fee Applies	
SculptureStone® Bathroom Table (TABLE) \$850 matte finish (TABLEGL) \$1,295 gloss finish <i>Order with tub for best color match</i>	
SculptureStone® Standard Faucet Stand	
Small - 3-hole capacity 14¼" w x 20½" h Matte (STAND) \$745 Gloss (STANDGL) \$1,190	Large - 5-hole capacity 22" w x 21½" h Matte (STANDL) \$880 Gloss (STANDLGL) \$1,325
SculptureStone® Premium Faucet Stand	
15" w x 39" h Matte (SSFSR3915MT) \$2,435 Gloss (SSFSR3915GL) \$2,800	10" w x 39" h Matte (SSFSR3910MT) \$2,200 Gloss (SSFSR3910GL) \$2,600
20" w x 23" h Matte (SSFSR2320MT) \$1,990 Gloss (SSFSR2320GL) \$2,385	15" w x 23" h Matte (SSFSR2315MT) \$1,880 Gloss (SSFSR2315GL) \$2,245
SculptureStone® Premium Component Stand	
20" l x 22.5" h Matte (SSPX1MT) \$2,060 Gloss (SSPX1GL) \$2,720 <i>Compatible with select tub models.</i> <i>Go to www.mtibaths.com</i>	

Drains & Overflow Kits *Must be ordered at time of purchase*

Toe Tap Drain Cover Finishes
PVC drain - Chrome included
+\$50 upcharge Br. Nickel (WIOBN), Pol. Nickel (WIOPN)
+\$90 upcharge Matte Black (WIOBM)
+\$110 upcharge Oil-Rubbed Bronze* (WIOOR)
+\$660 upcharge Special Finish* (WIOSF)
<i>Send finish sample to MTI Baths for best match.</i>

Toe Tap SculptureStone® Drain Cover Finishes
Upgrade is in lieu of standard chrome to tap drain cover. White only
+\$95 upcharge Matte Finish (SSWIOMT)
+\$115 upcharge Gloss Finish (SSWIOGL)
Brass Tailpiece (WIOBS) \$90 in addition to finish charge listed above
Quick Drain Kit (WOQ) \$485

* MTI has selected an oil-rubbed bronze finish that is compatible with Delta and many other manufacturers. To ensure best match, order as a Special Finish and submit a sample.
CSA # MTCT-200
©2024 by MTI Baths, Inc. Modification Rights Reserved

* Allow 2-4 weeks lead time for Special Finishes.
Send sample for best match.

