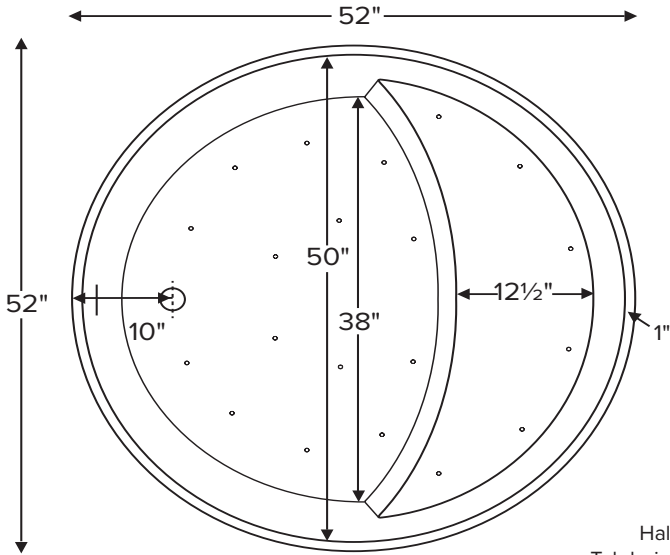


Halo



Features an integrated overflow.

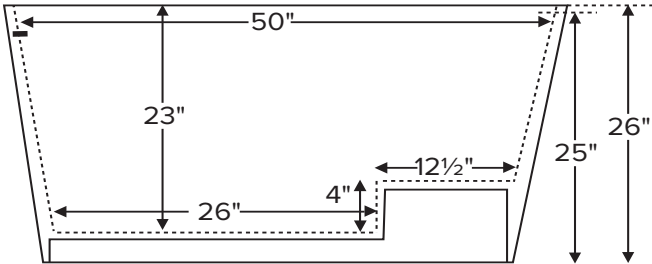
| |
|---|
| MODEL 211 |
| 211R 52" x 52" x 26" 211F 52" x 52" x 25" |
| FREESTANDING 121 gal to overflow |
| SculptureStone® |
| 364 lbs / 165 kg soaker 394 lbs / 179 kg airbath |
| Flat rim version may be undermounted. Not recommended as a tub / shower combination. Rolled rim version cannot be undermounted. Filling this tub to the maximum may require an above average size or dedicated water heater. |



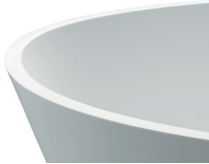
Halo is available with a rolled or flat rim.
Tub height will vary based upon features selected.



Rolled Rim



Note: Halo is available with a rolled rim, creating an overall tub height of 26". A flat rim may also be specified, which reduces overall tub height to 25".
Part numbers for either selection are listed on the following page.



Flat Rim
(reduces overall height by 1")

| ELECTRICAL COMPONENTS & SPECIFICATIONS | | |
|--|---------------------|----------|
| Required Electrical Service - 110 Volt | | |
| Hydrotherapy Package | Components Included | GFCI |
| Air Massage | heated blower | 1-15 amp |
| Electrical requirements may change with the addition of optional therapy components. See specific option details or installation information. CSA Certified C/US; ANSI Z124.1 and ANSI 112.19.7 and ANSI 112.19.7 | | |

See the Installation & Operation Manual for more details.
MTI's Customer Service: Monday-Friday 8am-6pm EST
800-783-8827 or service@mtibaths.com

IMPORTANT ORDERING & INSTALLATION INFORMATION

- Before ordering or installing, please consider future access to equipment.
- Includes an integrated overflow with toe tap drain in chrome finish. May be specified without an overflow (see local codes before ordering without an overflow).
- Air baths require job site preparation for remote installation of the blower and required check valve. Check valve must be installed higher than the rim of the tub.
- Waterproof remote control included with air bath. Keypad shipped loose may be remote mounted on nearby surface/wall.
- Faucet valves cannot be mounted on this tub model.

• Before discarding tub crate, check for accessories that may be packaged inside.
• All product measurements are ±1/2".
• Specifications and configurations are subject to change without notice.
• Measurements herein supersede all others published prior to publication date below.



For more information on options and accessories go to SculptureStone® Tubs Options on mtibaths.com

Halo

MODEL #: 211

211R 52" x 52" x 26"

211F 52" x 52" x 25"

- Blower & required check valve for airbath must be remote mounted.
- Check valve must be installed higher than the rim of the tub.
- See the Installation & Operation Manual for more details.

| Hydrotherapy | Package Contents | Part # | MSRP |
|-----------------|--|--------------------------------|-----------------|
| Soaker | Soaking bath - no jets. Includes an integrated slotted overflow with a toe-tap drain kit. | S211R (Rolled Rim) | \$9,900 |
| | | S211F (Flat Rim) | |
| Air Bath | 20 air jets, heated air blower, keypad, waterproof remote control, integrated slotted overflow with a toe-tap drain kit. | AST211R (Rolled Rim) | \$15,290 |
| | | AST211F (Flat Rim) | |

| Options <small>Must be ordered at time of purchase</small> |
|--|
| Quick Ship (QSPRI2) \$1,025 reduces lead time <i>Please call for availability</i> |
| Standard Color White, matte finish Biscuit Color Upgrade (SSBI) \$310 matte finish <i>Additional material colors available for projects only. Please call MTI.</i> |
| Hand-Polished Deep Gloss Finish (SSGLOSS3) \$1,295 upcharge For white or biscuit |
| Exterior Color for Flat Rim only \$1,760 (SSCOLTG) Gloss (SSCOLTM) Matte Must specify color code: Sapphire Blue (SB), Blue Lagoon (BL), Terracotta (TC), Onyx (OX), Stratus Gray (TG), Stormgray (SG) <i>Adds 20 business days to standard lead time</i> |
| Accessories |
| Teak Bath Mat (TKMAT3018) \$815 Measures 30" x 17.5" x 1" <i>Custom sizes also available. Contact MTI for details.</i> |
| Floor-Mounted High-Flow Tub Filler Contemporary Chrome (FILLC) \$1,480 Brushed Nickel (FILLBN) \$1,710 |
| Teak Tub Tray (TK-RDTRAY) \$1,095 <i>Order with tub for best fit</i> |

Drains & Overflow Kits Must be ordered at time of purchase

Toe Tap Drain Cover Finishes
PVC drain - Chrome included
+\$50 upcharge Br. Nickel (WIOBN), Pol. Nickel (WIOPN)
+\$85 upcharge Matte Black (WIOBM)
+\$105 upcharge Oil-Rubbed Bronze* (WIOOR)
+\$640 upcharge Special Finish* (WIOSF)
Send finish sample to MTI Baths for best match.

| Boutique Accessories | |
|--|--|
| Packaging / Handling Fee Applies | |
| SculptureStone® Bathroom Table (TABLE) \$825 matte finish +\$430 gloss finish upcharge (SSGLOSSNK) <i>Order with tub for best color match</i> | |
| SculptureStone® Standard Faucet Stand | |
| Small - 3-hole capacity 14¼" w x 21¾" h Matte (STAND) \$725 | Large - 5-hole capacity 22" w x 21¾" h Matte (STANDL) \$855 |
| +\$430 gloss finish upcharge (SSGLOSSNK) | |
| SculptureStone® Premium Faucet Stand | |
| 15" w x 39" h | 10" w x 39" h |
| Matte (SSFSR3915MT) \$2,365 | Matte (SSFSR3910MT) \$2,135 |
| Gloss (SSFSR3915GL) \$2,720 | Gloss (SSFSR3910GL) \$2,525 |
| 20" w x 23" h | 15" w x 23" h |
| Matte (SSFSR2320MT) \$1,930 | Matte (SSFSR2315MT) \$1,825 |
| Gloss (SSFSR2320GL) \$2,315 | Gloss (SSFSR2315GL) \$2,180 |

Toe Tap SculptureStone® Drain Cover Finishes
Upgrade is in lieu of standard chrome to tap drain cover.
White only
+\$90 upcharge Matte Finish (SSWIOMT)
+\$110 upcharge Gloss Finish (SSWIOGL)
Brass Tailpiece (WIOBS) **\$85** in addition to finish charge listed above
Quick Drain Kit (WOQ) **\$460**

* MTI has selected an oil-rubbed bronze finish that is compatible with Delta and many other manufacturers. To ensure best match, order as a Special Finish and submit a sample.
 CSA # MTCT-211
 ©2022 by MTI Baths, Inc. Modification Rights Reserved

* Allow 2-4 weeks lead time for Special Finishes.
 Send sample for best match.

