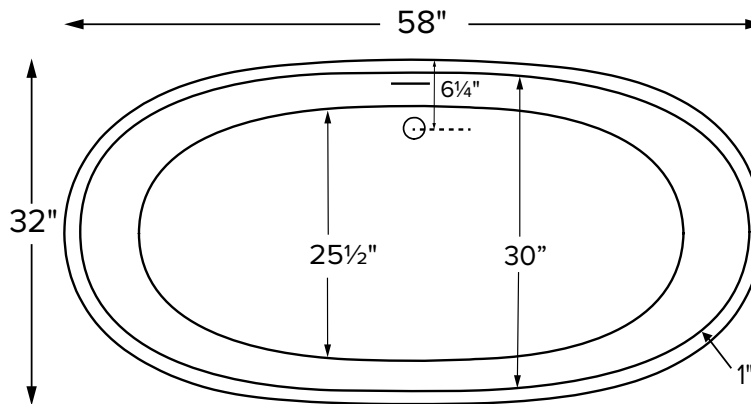


Elena Soaker with Cradle

MODEL 245C
<b>245CR</b> 58" x 32" x 27.75" <b>245CF</b> 58" x 32" x 26.75"
FREESTANDING 75 gal to overflow
<b>SculptureStone®</b>
280 lbs / 127 kg soaker
Filling this tub to the maximum may require an above average size or dedicated water heater.



Features an integrated overflow and black powder-coated steel cradle with matching decorative tailpiece for drain connection.

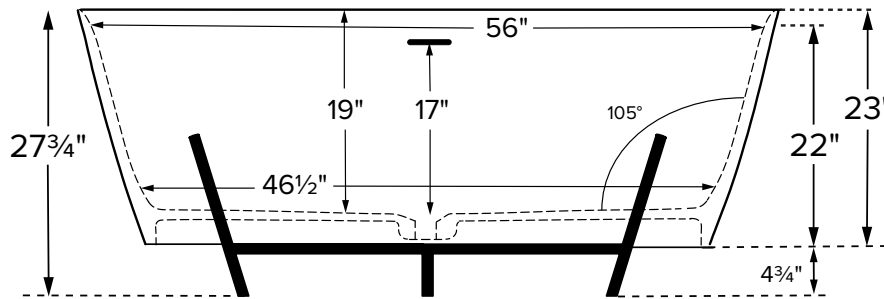


Half-Rolled Rim

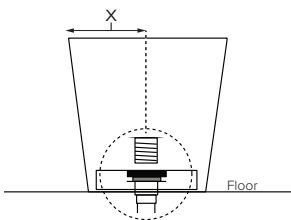


Flat Rim  
(reduces overall height by 1")

Elena #245 is available with a half-rolled or flat rim. Tub height will vary based upon features selected.



Drain  
Rough-In  
Measurement



Tailpiece for drain connection comes color-matched to cradle.

**ELECTRICAL COMPONENTS & SPECIFICATIONS**

**Hydrotherapy Package**

**Cradle tubs available as Soaker only**

Electrical requirements may change with the addition of optional therapy components. See specific option details or installation information. CSA Certified C/US; ANSI Z124.1 and ANSI 112.19.7

See the Installation & Operation Manual for more details. MTI's Customer Service: Monday-Friday 8am-6pm EST **800-783-8827** or [service@mtibaths.com](mailto:service@mtibaths.com)

**IMPORTANT ORDERING & INSTALLATION INFORMATION**

- Includes an integrated overflow with toe tap drain in chrome finish. May be specified without an overflow (see local codes before ordering without an overflow).
- Includes decorative tailpiece color-matched to tub cradle.
- Additional cradle colors available based on the universal RAL color chart; see [ralcolor.com](http://ralcolor.com). Provide RAL color code on order. Extended lead time may apply.
- Air baths require job site preparation for remote installation of the blower and required check valve. Check valve must be installed higher than the rim of the tub.
- Waterproof remote control included with air bath. Keypad shipped loose may be remote mounted on nearby surface/wall.
- Faucet valves cannot be mounted on this tub model.

- Before discarding tub crate, check for accessories that may be packaged inside.
- All product measurements are ±1/2".
- Specifications and configurations are subject to change without notice.
- Measurements herein supersede all others published prior to publication date below.

CSA # MTCT-245C

©2022 by MTI Baths, Inc. Modification Rights Reserved



For more information on options and accessories go to SculptureStone® Tubs Options on mtibaths.com

Elena Soaker with Cradle

MODEL #: 245C

**245CR** 58" x 32" x 27.75"

**245CF** 58" x 32" x 26.75"

Hydrotherapy	Package Contents	Part #	MSRP
<b>Soaker</b>	Soaking bath - no jets. Includes integrated slotted overflow with an integrated slotted overflow with a toe-tap drain kit and black tailpiece with rosette floor escutcheon and black powder-coated tub cradle. Notes: • Overall height with cradle and half-rolled rim is 27¾." • Custom colors available for cradle; tailpiece comes matched to cradle	<b>S245CR</b> (Half-Rolled Rim)	<b>\$11,030</b>
		<b>S245CF</b> (Flat Rim)	

See Elena without cradle for air bath option, model #245.

Options <small>Must be ordered at time of purchase</small>
<b>Quick Ship</b> (QSPRI2) <b>\$1,025</b> reduces lead time <i>Please call for availability</i>
<b>Standard Color</b> White, matte finish <b>Biscuit Color Upgrade</b> (SSBI) <b>\$310</b> matte finish <i>Additional material colors available for projects only. Please call MTI.</i>
<b>Hand-Polished Deep Gloss Finish</b> (SSGLOSS) <b>\$1,140</b> upcharge For white or biscuit
<b>Exterior Color</b> <b>\$1,760</b> (SSCOLTG) Gloss Finish (SSCOLTM) Matte Finish Must specify color code: Sapphire Blue (SB), Blue Lagoon (BL), Terracotta (TC), Onyx (OX), Stratus Gray (TG), Stormgray (SG) <i>Adds 20 business days to standard lead time</i>
Accessories
<b>Teak Bath Mat</b> (TKMAT3018) <b>\$815</b> Measures 30" x 17.5" x 1" <i>Custom sizes also available. Contact MTI for details.</i>
<b>Floor-Mounted High-Flow Tub Filler</b> Contemporary Chrome (FILLC) <b>\$1,480</b> Brushed Nickel (FILLBN) <b>\$1,710</b>
<b>SculptureStone® Tub Tray</b> Without Stemware Holder (SSTRAY1) <b>\$340</b> With Stemware Holder (SSTRAY2) <b>\$450</b> <i>Color and finish will come matched with tub</i>
<b>Teak Tub Tray</b> Slatted (TK-TRAY1) <b>\$500</b> Solid (TK-TRAY2) <b>\$570</b> <i>Order with tub for best fit</i>

Boutique Accessories
<b>Package / Handling Fee Applies</b>
<b>SculptureStone® Bathroom Table</b> (TABLE) <b>\$825</b> matte finish <b>+\$430</b> gloss finish upcharge (SSGLOSSSNK) <i>Order with tub for best color match</i>
<b>SculptureStone® Standard Faucet Stand</b> Small - 3-hole capacity 14¼" w x 21¾" h Matte (STAND) <b>\$725</b> Large - 5-hole capacity 22" w x 21¾" h Matte (STANDL) <b>\$855</b> <b>+\$430</b> gloss finish upcharge (SSGLOSSSNK)
<b>SculptureStone® Premium Faucet Stand</b>
<b>15" w x 39" h</b> Matte (SSFSR3915MT) <b>\$2,365</b> Gloss (SSFSR3915GL) <b>\$2,720</b>
<b>10" w x 39" h</b> Matte (SSFSR3910MT) <b>\$2,135</b> Gloss (SSFSR3910GL) <b>\$2,525</b>
<b>20" w x 23" h</b> Matte (SSFSR2320MT) <b>\$1,930</b> Gloss (SSFSR2320GL) <b>\$2,315</b>
<b>15" w x 23" h</b> Matte (SSFSR2315MT) <b>\$1,825</b> Gloss (SSFSR2315GL) <b>\$2,180</b>

**Drains & Overflow Kits** Must be ordered at time of purchase

Toe Tap Drain Cover Finishes
PVC drain - Chrome included <b>+\$50</b> upcharge Br. Nickel (WIOBN), Pol. Nickel (WIOPN) <b>+\$85</b> upcharge Matte Black (WIOBM) <b>+\$105</b> upcharge Oil-Rubbed Bronze* (WIOOR) <b>+\$640</b> upcharge Special Finish* (WIOSF) <i>Send finish sample to MTI Baths for best match.</i>

Toe Tap SculptureStone® Drain Cover Finishes
Upgrade is in lieu of standard chrome to tap drain cover. White only <b>+\$90</b> upcharge Matte Finish (SSWIOMT) <b>+\$110</b> upcharge Gloss Finish (SSWIOGL) <b>Brass Tailpiece</b> (WIOBS) <b>\$85</b> in addition to finish charge listed above <b>Quick Drain Kit</b> (WOQ) <b>\$460</b>

\* MTI has selected an oil-rubbed bronze finish that is compatible with Delta and many other manufacturers. To ensure best match, order as a Special Finish and submit a sample.

CSA # MTCT-245C

©2022 by MTI Baths, Inc. Modification Rights Reserved

\* Allow 2-4 weeks lead time for Special Finishes. Send sample for best match.

