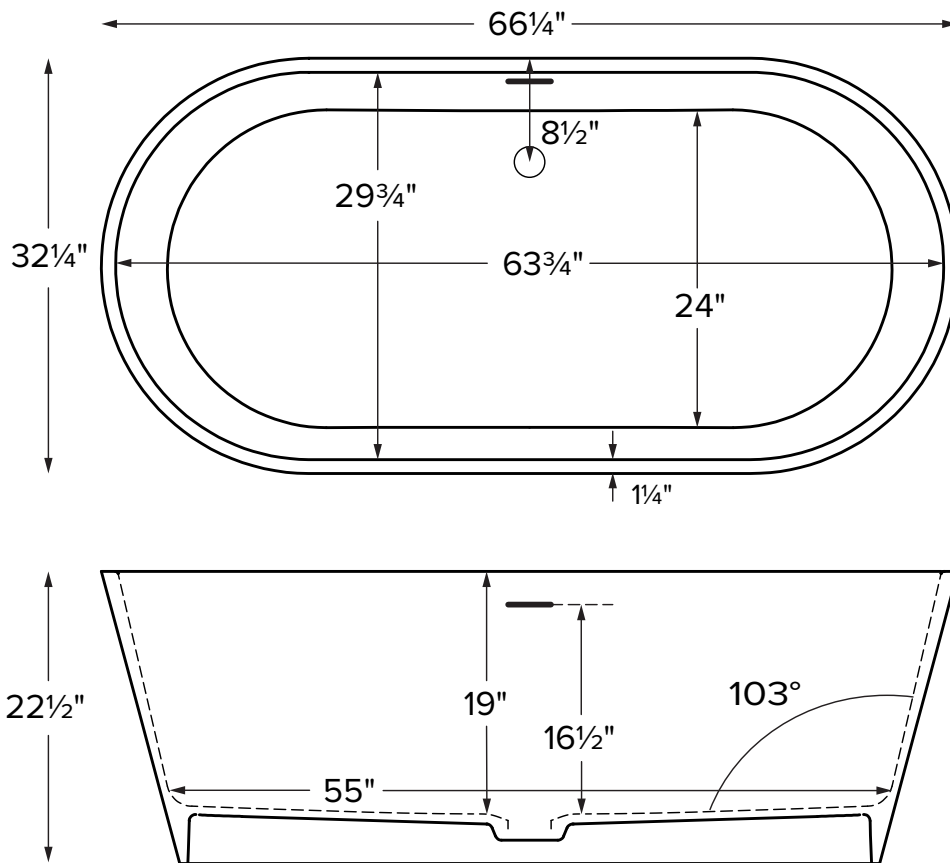


Evalina



Features an integrated overflow

MODEL 272
66.25" x 32.25" x 22.5"
FREESTANDING 96 gal to overflow
SculptureStone®
285 lbs / 129 kg soaker
Filling this tub to the maximum may require an above average size or dedicated water heater.



ELECTRICAL COMPONENTS & SPECIFICATIONS		
Required Electrical Service - 110 Volt		
Hydrotherapy Package	Components Included	GFCI
Airbath	heated blower	1-15 amp

Electrical requirements may change with the addition of optional therapy components. See specific option details or installation information.
CSA Certified C/US; ANSI Z124.1 and ANSI 112.19.7 and ANSI 112.19.7

See the Installation & Operation Manual for more details.
MTI's Customer Service: Monday-Friday 8am-6pm EST
800-783-8827 or service@mtibaths.com

IMPORTANT ORDERING & INSTALLATION INFORMATION

- Before ordering or installing, please consider future access to equipment.
- Includes an integrated overflow with toe tap drain in chrome finish. May be specified without an overflow (see local codes before ordering without an overflow).
- Airbaths require job site preparation for remote installation of the blower and required check valve. Check valve must be installed higher than the rim of the tub.
- Waterproof remote control included with airbath. Keypad shipped loose may be remote mounted on nearby surface/wall.
- Faucet valves cannot be mounted on this tub model.

- Before discarding tub crate, check for accessories that may be packaged inside.
- All product measurements are ±1/2".
- Specifications and configurations are subject to change without notice.
- Measurements herein supersede all others published prior to publication date below.



For more information on options and accessories go to SculptureStone® Tubs Options on mtibaths.com

Evalina

MODEL # 272

66.25" x 32.25" x 22.5"

- Blower & required check valve for airbath must be remote mounted.
- Check valve must be installed higher than the rim of the tub.
- See the Installation & Operation Manual for more details.

Hydrotherapy	Package Contents	Part #	Finish	MSRP
Soaker	Soaking bath - no jets. Includes an integrated slotted overflow with a toe-tap drain kit.	S272	soft matte	\$8,445
		S272GL	hand-polished gloss	\$9,565
Airbath	20 air jets, heated air blower, keypad, waterproof remote control, integrated slotted overflow with a toe-tap drain kit.	AST272	soft matte	\$13,720
		AST272GL	hand-polished gloss	\$14,840

Options <i>Must be ordered at time of purchase</i>
Quick Ship (QSPRI2) \$1,055 reduces lead time <i>Please call for availability</i>
Standard Color White Biscuit Color Upgrade (SSBI) \$320 <i>Additional material colors available for projects only. Please call MTI.</i>
Exterior Color \$1,815 (SSCOLTG) Gloss Finish (SSCOLTM) Matte Finish Must specify color code: Sapphire Blue (SB), Blue Lagoon (BL), Terracotta (TC), Onyx (OX), Stratus Gray (TG), Stormgray (SG) Check mtibaths.com for current lead time
Accessories
Teak Bath Mat (TKMAT3018) \$840 Measures 30" x 17.5" x 1" <i>Custom sizes also available. Contact MTI for details.</i>
SculptureStone® Tub Tray No Stemware Holder (SSTRAY1) \$350 matte (SSTRAY1GL) gloss \$350 With Stemware Holder (SSTRAY2) \$465 matte (SSTRAY2GL) gloss \$465 <i>Order with tub for best color match</i>
Teak Tub Tray Slatted (TK-TRAY1) \$515 Solid (TK-TRAY2) \$585 <i>Order with tub for best fit</i>

SculptureStone® Tub Accessories	
Packaging / Handling Fee Applies	
SculptureStone® Bathroom Table	(TABLE) \$850 matte finish (TABLEGL) \$1,295 gloss finish <i>Order with tub for best color match</i>
SculptureStone® Standard Faucet Stand	Small - 3-hole capacity 14¼" w x 20½" h Matte (STAND) \$745 Gloss (STANDGL) \$1,190
	Large - 5-hole capacity 22" w x 21½" h Matte (STANDL) \$880 Gloss (STANDLGL) \$1,325
SculptureStone® Premium Faucet Stand	
15" w x 39" h	10" w x 39" h
Matte (SSFSR3915MT) \$2,435	Matte (SSFSR3910MT) \$2,200
Gloss (SSFSR3915GL) \$2,800	Gloss (SSFSR3910GL) \$2,600
20" w x 23" h	15" w x 23" h
Matte (SSFSR2320MT) \$1,990	Matte (SSFSR2315MT) \$1,880
Gloss (SSFSR2320GL) \$2,385	Gloss (SSFSR2315GL) \$2,245
The Blake Integral Deck	
Matte (SSPTX1MT) \$1,020	Gloss (SSPTX1GL) \$1,470
32" l x 20" h x 8" d	
Exterior Color Matte (SSPTX1COLM) \$1,470	
Exterior Color Gloss (SSPTX1COLG) \$1,470	

Drains & Overflow Kits *Must be ordered at time of purchase*

Toe Tap Drain Cover Finishes
PVC drain - Chrome included
+\$50 upcharge Br. Nickel (WIOBN), Pol. Nickel (WIOPN)
+\$90 upcharge Matte Black (WIOMB)
+\$110 upcharge Oil-Rubbed Bronze [†] (WIOOR)
+\$660 upcharge Special Finish* (WIOSF)
<i>Send finish sample to MTI Baths for best match.</i>

Toe Tap SculptureStone® Drain Cover Finishes
Upgrade is in lieu of standard chrome to tap drain cover.
White only
+\$95 upcharge Matte Finish (SSWIOMT)
+\$115 upcharge Gloss Finish (SSWIOGL)
Brass Tailpiece (WIOBS) \$90 in addition to finish charge listed above
Quick Drain Kit (WOQ) \$485

[†] MTI has selected an oil-rubbed bronze finish that is compatible with Delta and many other manufacturers. To ensure best match, order as a Special Finish and submit a sample.

* Allow 2-4 weeks lead time for Special Finishes. Send sample for best match.

