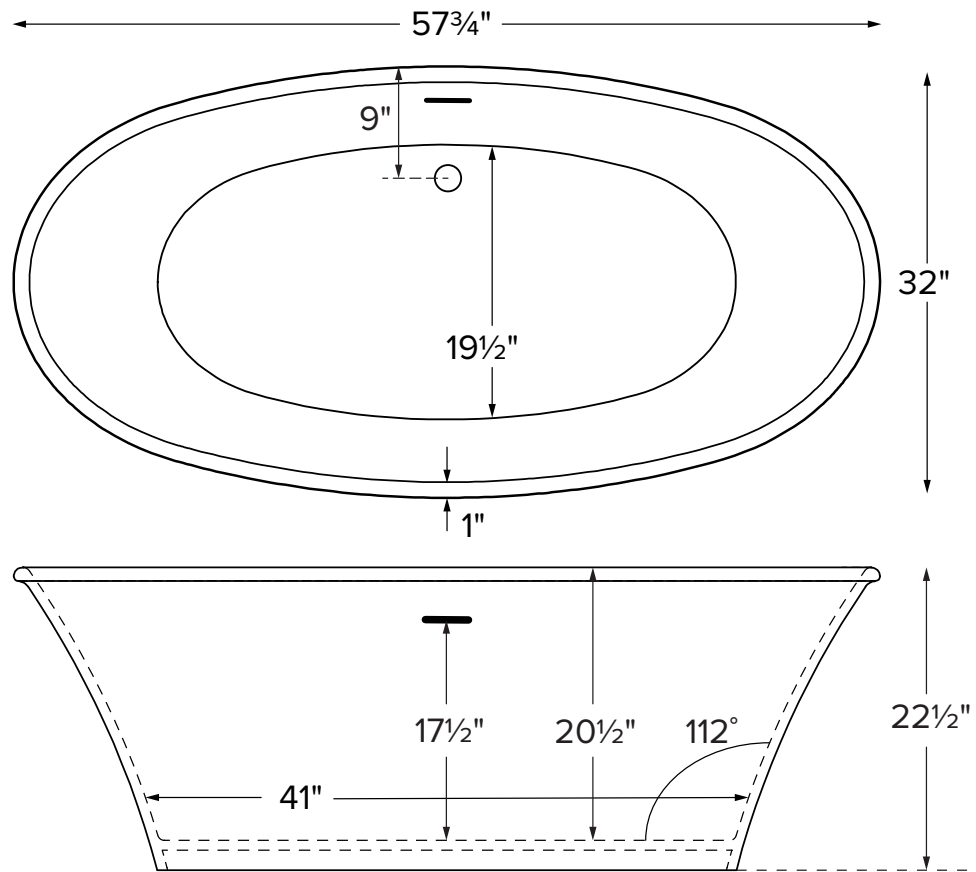


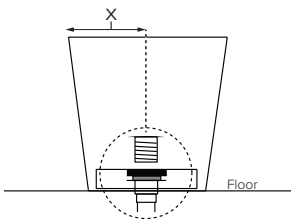
Charlotte



MODEL 405
57.75" x 32" x 22.5"
FREESTANDING 58 gal to overflow
Mineral Composite
140 lbs / 64 kg soaker
Filling this tub to the maximum may require an above average size or dedicated water heater.



Drain Rough-In Measurement



ELECTRICAL COMPONENTS & SPECIFICATIONS		
Required Electrical Service - 110 Volt		
Hydrotherapy Package	Components Included	GFCI
Air Massage	heated blower	1-15 amp
Electrical requirements may change with the addition of optional therapy components. See specific option details or installation information. CSA Certified C/US; B45.5/IAPMO ANSI Z124.1 and ANSI 112.19.7		

ORDERING AND INSTALLATION

- Before ordering or installing, please consider future access to equipment.
- Integrated overflow with toe tap drain included.
- Air baths require job site preparations for remote mounting the blower and required check valve. Check valve must be installed higher than the rim of the tub.
- Waterproof remote control included. Keypad is shipped loose and may be mounted nearby.
- Faucet valves cannot be installed on this tub model.

See the Installation & Operation Manual for more details.
MTI's Customer Service: Monday-Friday 8am-6pm EST
800-783-8827 or service@mtibaths.com

• Before discarding tub packaging, check for accessories that may be packaged inside.
• All product measurements are ±1/2".
• Specifications and configurations are subject to change without notice.
• Measurements herein supersede all others published prior to publication date below.



For more information on options and accessories go to Cosmopolitan Mineral Composite Tubs Options on mtibaths.com

- Blower & required check valve for airbath must be remote mounted
- Check valve must be installed higher than the rim of the tub.

Charlotte
 MODEL # 405
 57.75" x 32" x 22.5"

Hydrotherapy	Package Contents	Part #	MSRP
Soaker	Soaking bath - no jets. Includes an integrated slotted overflow with toe-tap drain kit.	S405	
Air Bath	20 air jets, heated air blower, keypad, waterproof remote control, integrated slotted overflow with toe-tap drain kit.	AST405	

Recommended Drain Kits
OS&B Euroclicker-FA-XXX (included with tub) OS&B 500 Series Westbrass D98LTBAA-XX Mountain Plumbing BDWOF-ST

Accessories
Drain Kit Accessories Brass Tailpiece (WIOBS) Quick Drain Kit (WOQ)
Pillows
Teak Bath Mat (TKMAT3018) <i>Custom sizes also available. Contact MTI for details and pricing.</i>



Inside view of tub