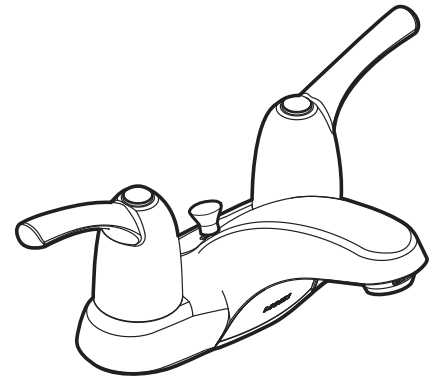




Buy it for looks. Buy it for life.®

Specifications



MOEN®
Two-Handle Lavatory Faucet

Model: WS84403

NOTE: This faucet is designed to be installed thru 3 holes, 1" min. dia.

DESCRIPTION

- Chrome plated metal construction
- 1/2" IPS connections
- Includes metal/polypropylene pop-up type waste assembly

OPERATION

- Lever handles
- Handles rotate toward spout to open


FLOW

- Water usage is limited to these maximum flow rates as indicated by the corresponding product markings
 - 1.2 gpm max (4.5L/min) at 60 psi

CARTRIDGE

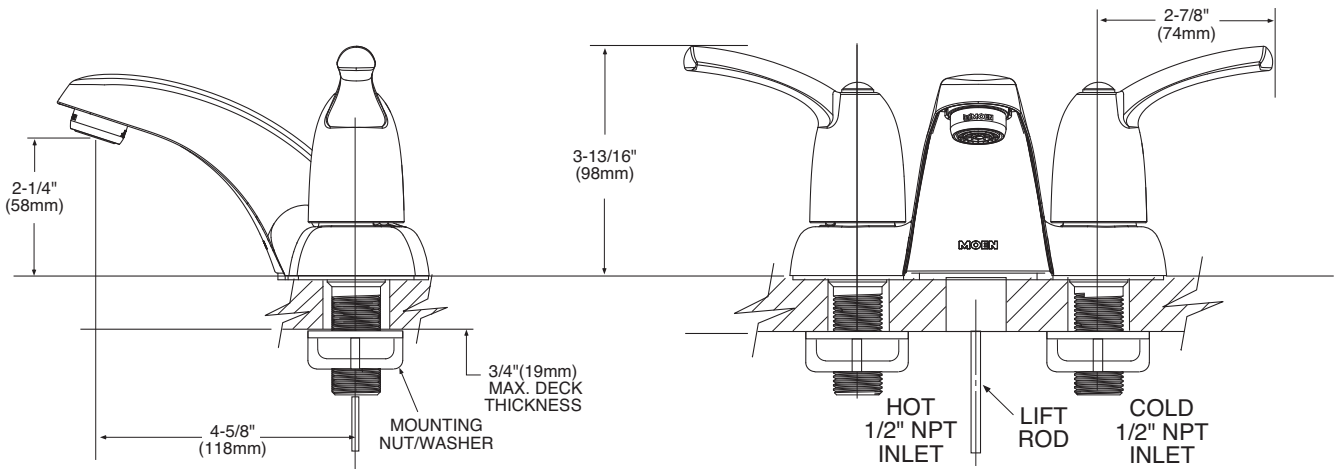
- 1224 cartridge design
- Nonmetallic and stainless steel material

STANDARDS

- Third party certified to WaterSense®, ASME A112.18.1/CSA B125.1 and all applicable requirements referenced therein
- Certified to NSF 61/9 & 372
- Products marked with 1.2 gpm are compliant with California water efficiency regulations
- Complies with California Proposition 65 and with the Federal Safe Drinking Water Act
- **ADA**  for lever handle

WARRANTY

- Lifetime limited warranty against leaks, drips and finish defects to the original consumer purchaser
- 5 year warranty if used in commercial installations



CRITICAL DIMENSIONS

(DO NOT SCALE)

FOR MORE INFORMATION CALL: 1-800-BUY-MOEN

www.moen.com